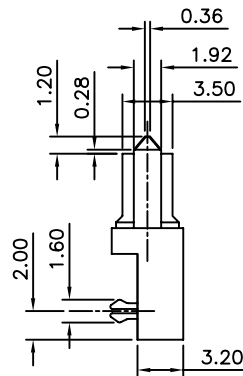
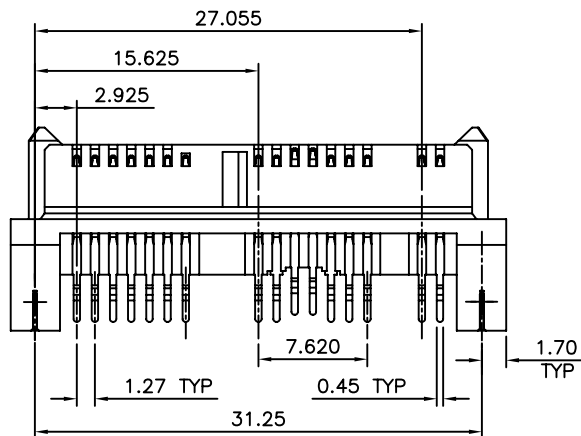
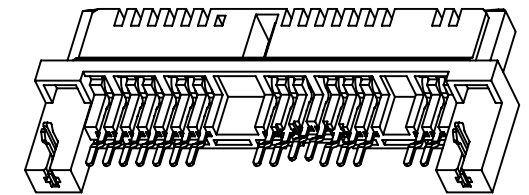
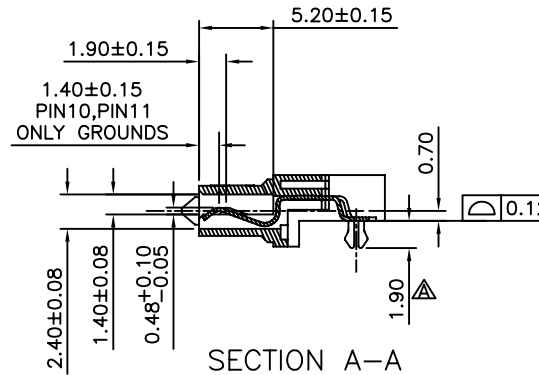
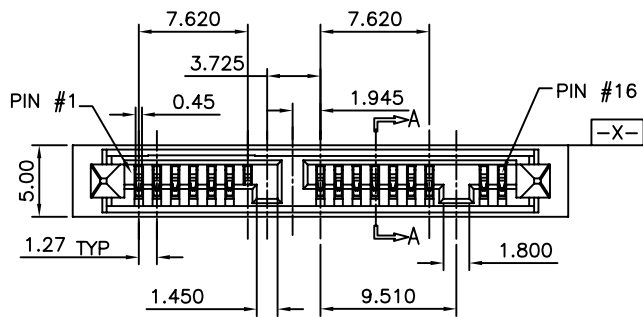


WITH COVER DRAWING

NOTES:

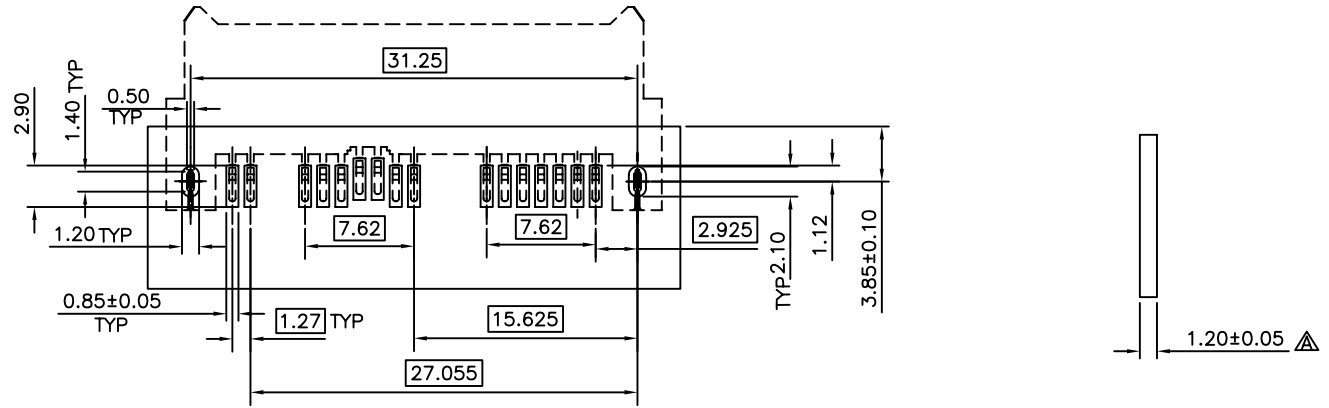
1. MATERIAL:
 - 1.1 HOUSING: THERMOPLASTIC, HIGH TEMP., UL94V-0; COLOR:BLACK.
 - 1.2 CONTACT: COPPER ALLOY
 - 1.3 NUT: STAINLESS STEEL
2. FINISH:
 - 2.1 CONTACT:
 - TERMINAL: GOLD PLATING PLS REFER TO ORDER INFORMATION.
 - 100u" MIN. TIN PLATING ON SOLDER TAILS,
 - 50u" MIN. NICKEL UNDERPLATING OVERALL.
 - LOCATING PIN: 150u" MIN. TIN PLATING ON SOLDER TAILS,
 - 80u" MIN. NICKEL UNDERPLATING OVERALL.
3. REFLOW SOLDER CAPABLE TO 260° C PER ACES SPEC.
4. SPEC. PLS. REFER TO PS-50800-XXXX-XXX
5. PACKAGE PLS. REFER TO 50842-XXXX-TRP
6. PART NUMBER

50842-XXX	X	X-XXX
NO OF CKT	XXX	HOUSING MATERIAL&COLOR
016 : 16PIN	001	Halogen Free
PACKING		LCP&Black
		Y
- 7:TAPE & REEL WITH COVER PLATING
- P: GOLD FLASH(1~3u") PLATING ON CONTACT FOR LEAD-FREE (MATT TIN)

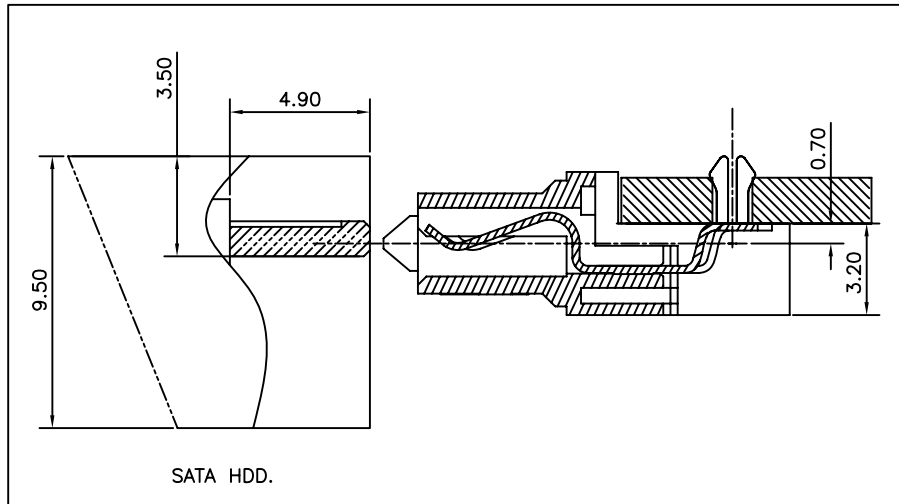


REV	DESCRIPTION	DATE	SIGNATURE
A	FOR ECR-0904007(ECN-0904044)	09'04/20	RING

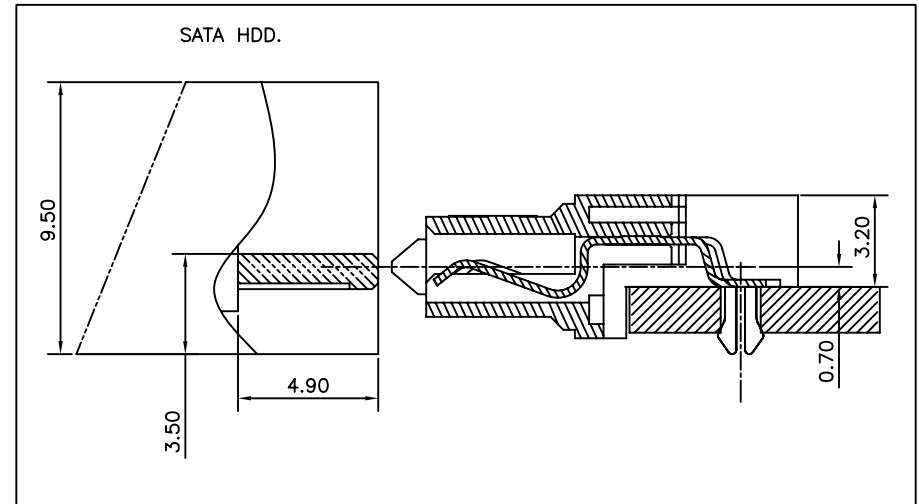
一般公差 TOLERANCES X ±0.5 XX ±0.15 X ±0.25 XXX ±0.1 ANGLES ±2°		宏致電子股份有限公司 Aces Electronic Co.,Ltd.	
檢驗尺寸標示	品名 (TITLE) 1.27mm PITCH	製圖 (DR)	Ring
SYMBOLS (C) INDICATE CLASSIFICATION DIMENSION	MICRO SATA RCPT.CONN H=0.7MM	08'12/07	
	SMT R/A TYPE	審核 (CHKD)	SAM
	圖號 (DWG.NO)	核准 (APPD)	JASON
(C) MARK IS CRITICAL DIM.	50842-XXXX-XXX		
(M) MARK IS MAJOR DIM.			
表面處理 (FINISH)	比例 (SCALE) 單位 (UNITS)	張數 (SHEET)	SIZE REV
	2:1 mm	1 OF 2	A4 A



RECOMMENDED PCB LAYOUT
GENERAL TOLERANCE ±0.05



TOP MOUNT WITH SATA HDD. REV.
MATING DRAWING



BOTTOM MOUNT WITH SATA HDD. NORMAL
MATING DRAWING

一般公差 TOLERANCES X ±0.5 XX ±0.15 X ±0.25 .XXX ±0.1 ANGLES ±2°		宏致電子股份有限公司 Aces Electronic Co.,Ltd.	
檢驗尺寸標示 SYMBOLS (C) (M) INDICATE CLASSIFICATION DIMENSION (C) MARK IS CRITICAL DIM. (M) MARK IS MAJOR DIM.		品名 (TITLE) 1.27mm PITCH MICRO SATA RCPT.CONN H=0.7MM SMT R/A TYPE 圖號 (DWG.NO) 50842-xxxxx-xxx	製圖 (DR) Ring 08/12/07 審核 (CHKD) SAM 核准 (APPD) JASON
表面處理 (FINISH) _____		比例 (SCALE) 單位 (UNITS) mm 2:1	張數 (SHEET) 2 OF 2 尺寸 (SIZE) A4 版次 (REV) A

1	SEE SHEET1	日期	申請人
REV	REVISION DESCRIPTION	DATE	SIGNATURE